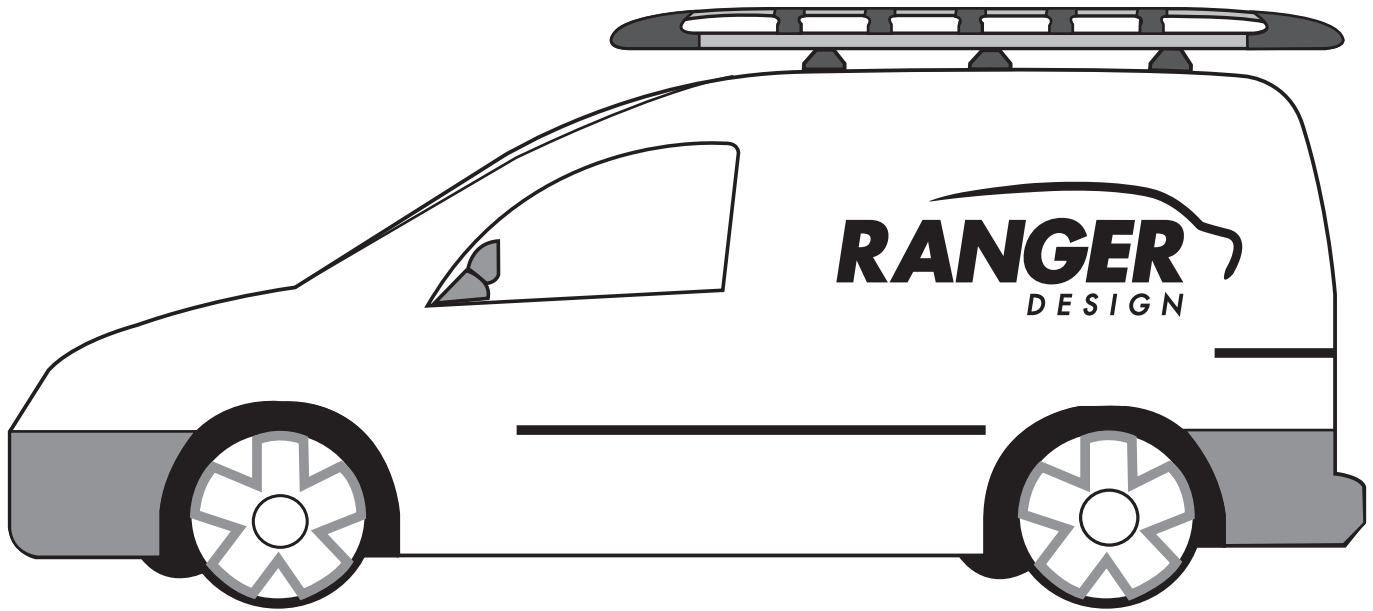


# INSTALLATION GUIDE



## 1506-DS Cargo Plus

Sprinter 144" Wheelbase

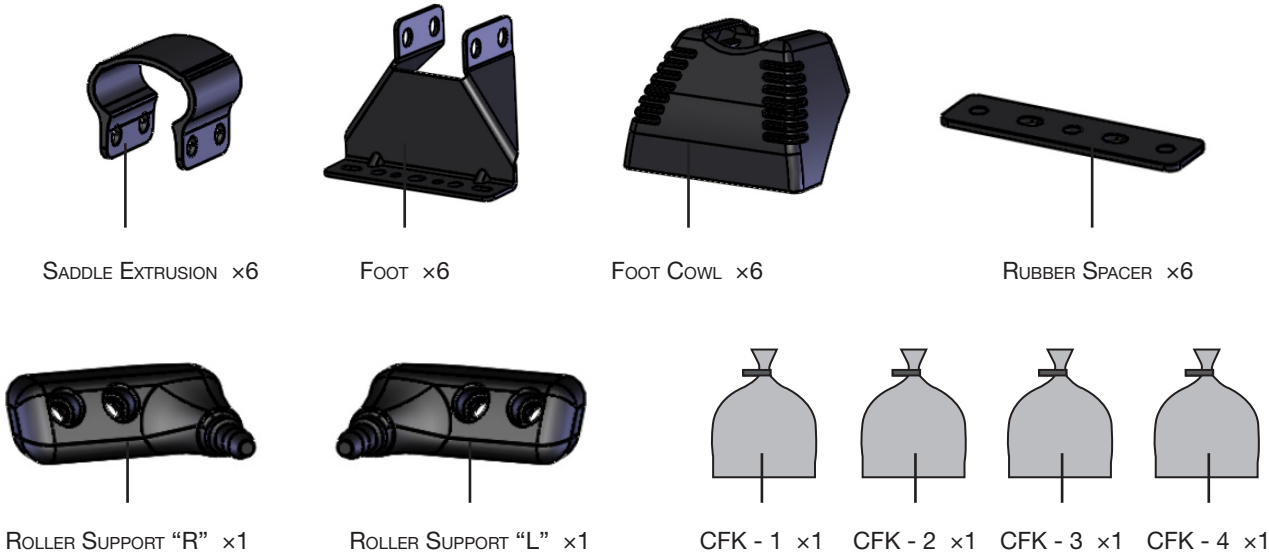


# PHASE 1 – ASSEMBLY

## 1.1 SETUP

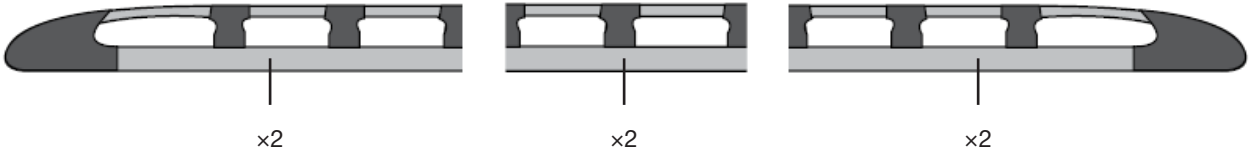
1.1.2 Verify all parts are present.

### 15-U4002 BOX

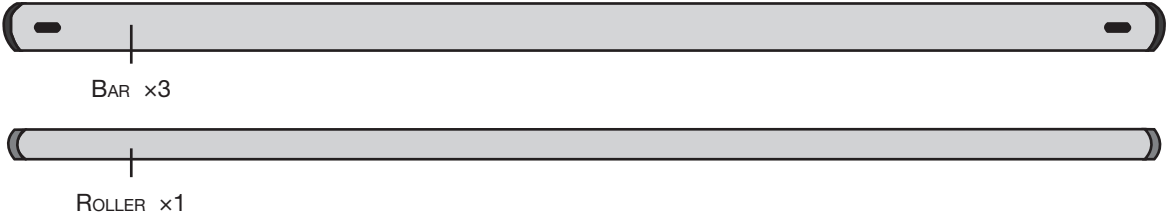


### 15-U1002 BOX

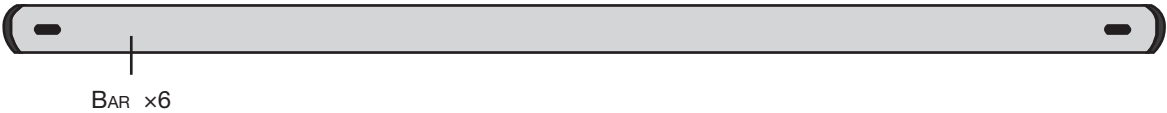
SIDE RAILS



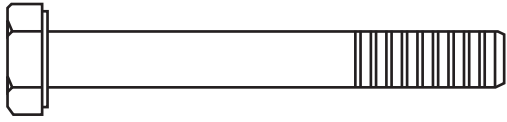
### 15-U3002 BOX



### 15-U2002 BOX



# HARDWARE



( M8 × 65 ) ×12



( M8 × 25 ) ×6



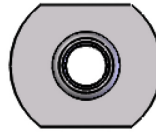
( M8 × 25 ) ×6



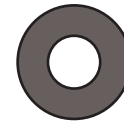
( M8 × 25 ) ×34



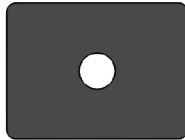
( M8 ) ×22



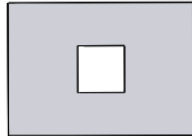
( M8 ) ×22



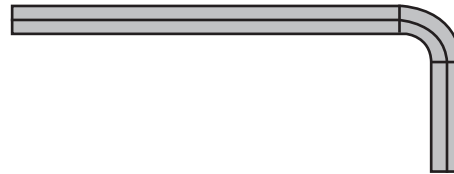
( M8 ) ×28



( M8 ) ×4

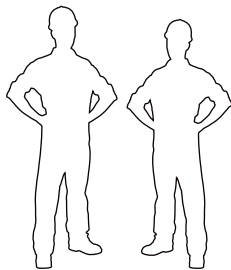


( M8 ) ×4

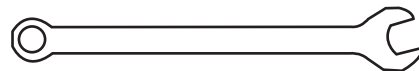


( M8 ) ×1

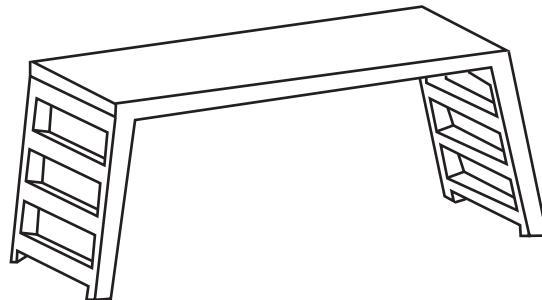
# REQUIRED ITEMS



**2**  
**PERSONS**



13mm ×2

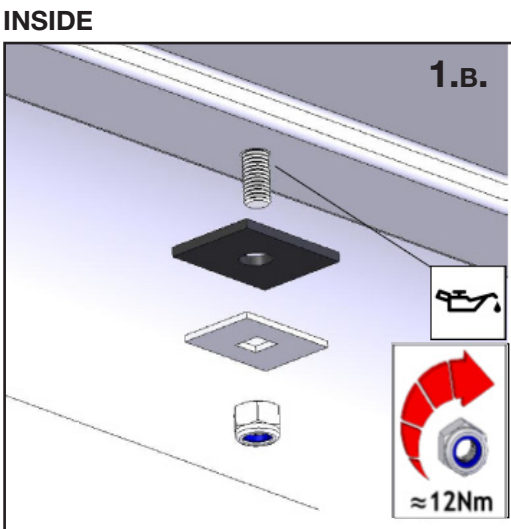
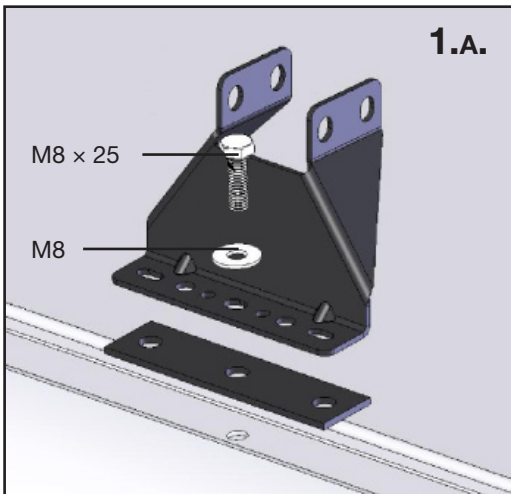
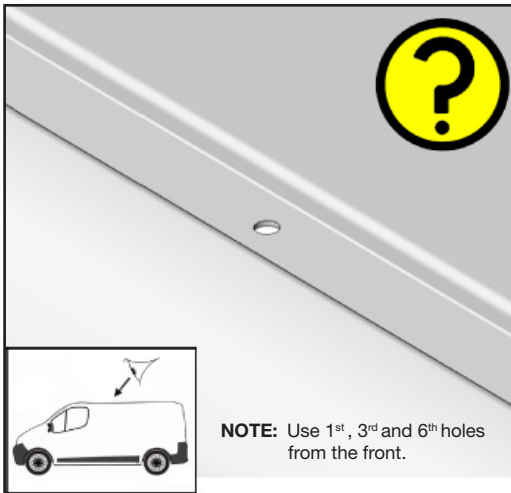


# PHASE 2 – INSTALLATION

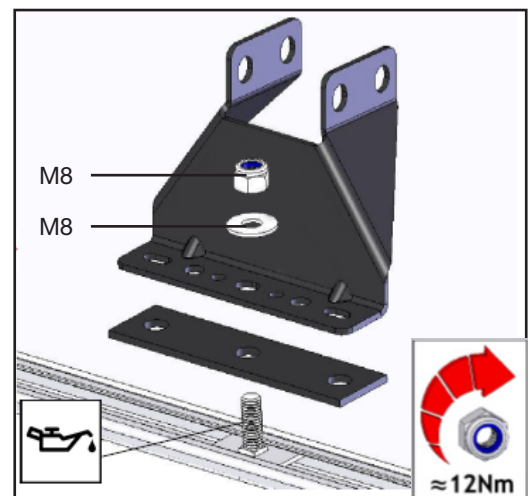
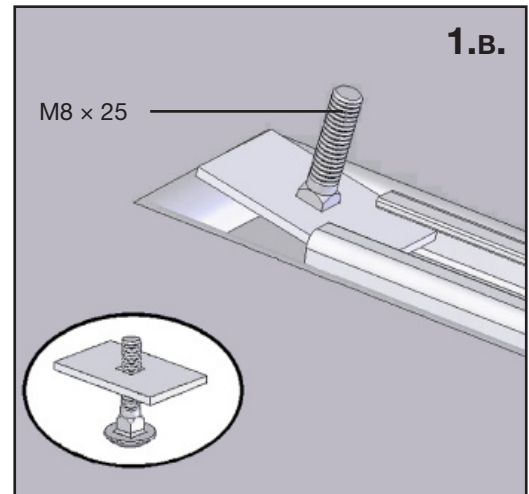
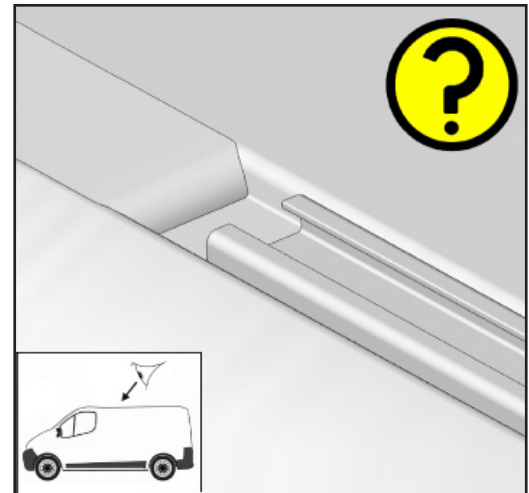
## 2.1 INSTALLATION

### 2.1.1 Install the feet.

#### W/O OEM TRACK



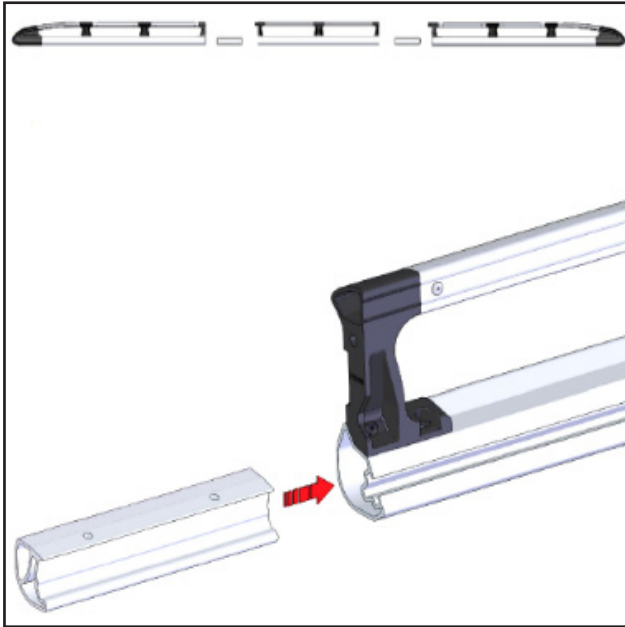
#### WITH OEM TRACK



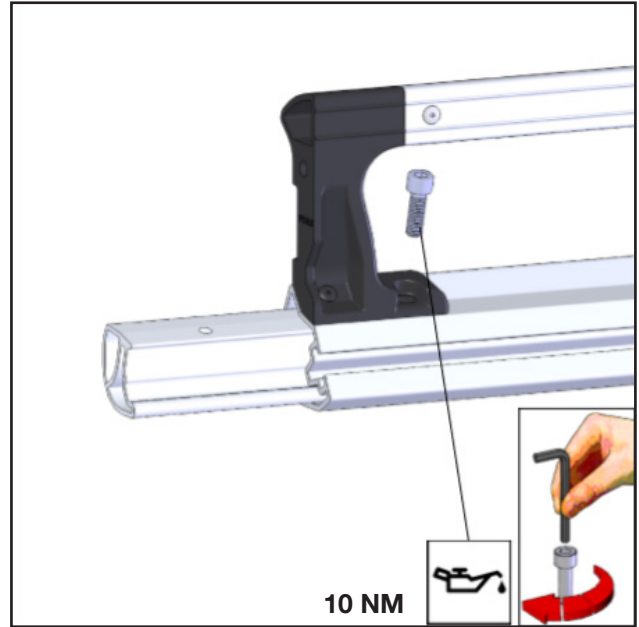
2.1.2 Connect the 2 half side rails.

2x

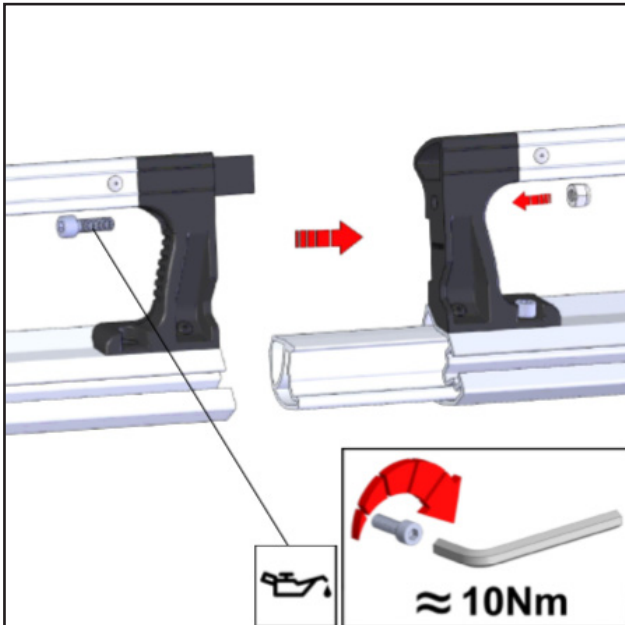
STEP 1



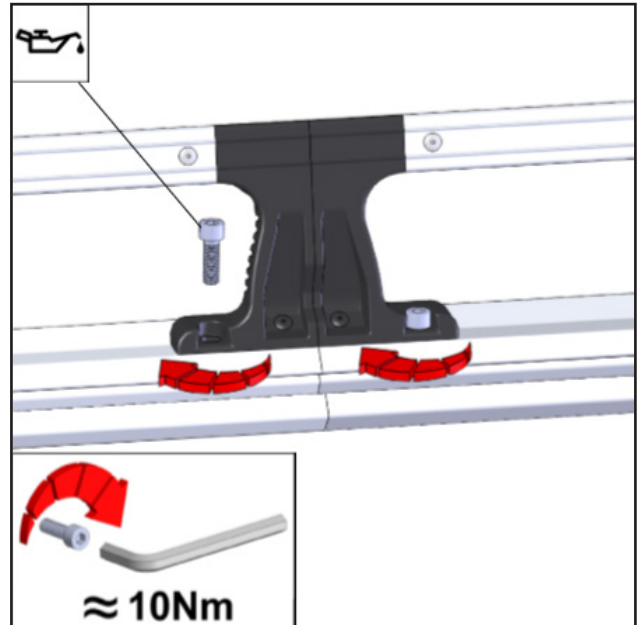
STEP 2



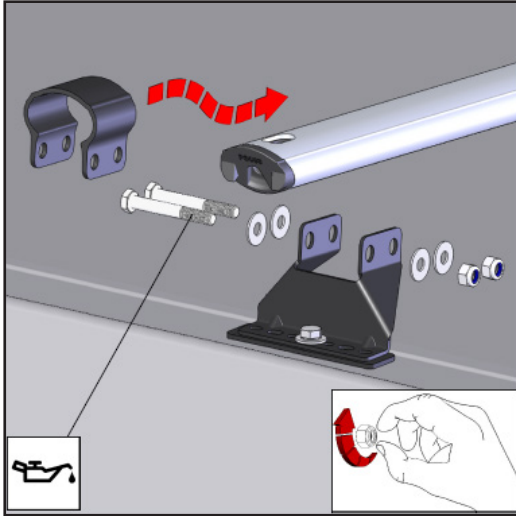
STEP 3



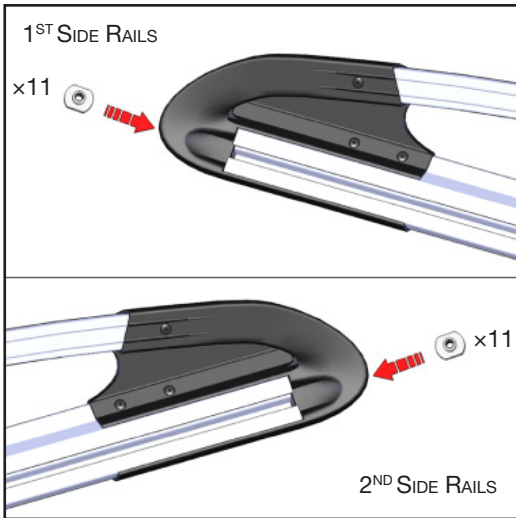
STEP 4



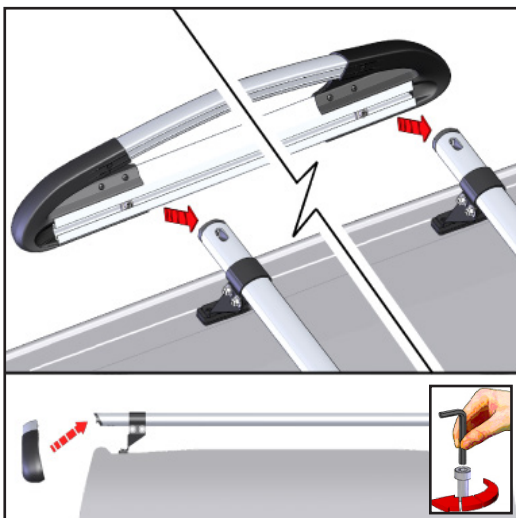
**2.1.3** Install 3 bars in the feet.



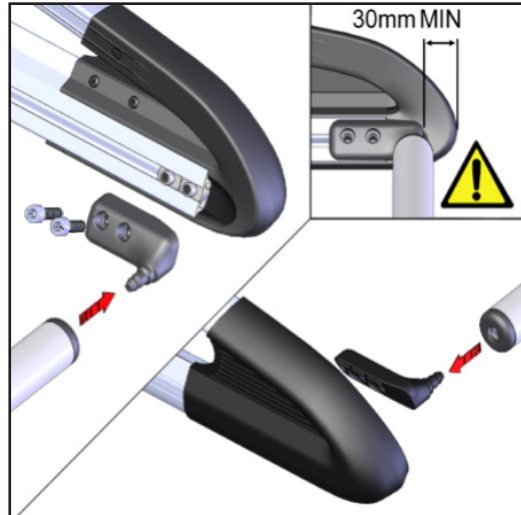
**2.1.4** Slide 11 pcs. of channel nuts in each side rails.



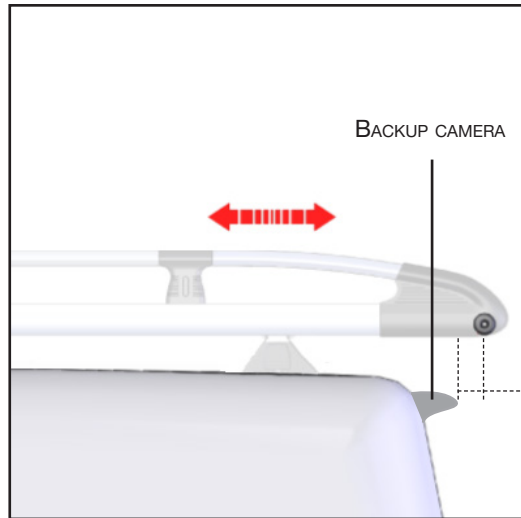
**2.1.5** Attach the 2 side rails on both ends of the bar, using the 3<sup>RD</sup>, 5<sup>TH</sup> & 8<sup>TH</sup> Channel nuts from the front.



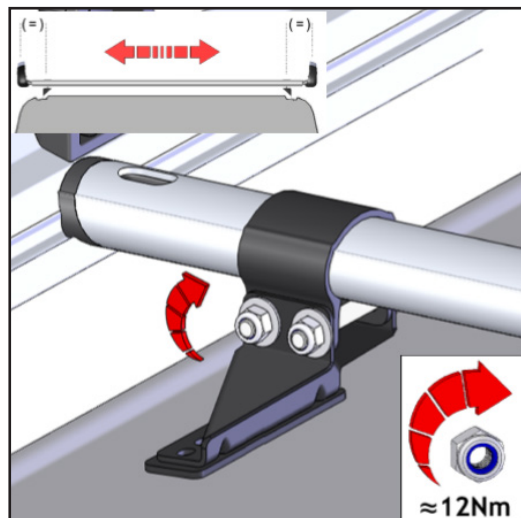
**2.1.6** Attach the roller to the side rails using the 2 last channel nuts from the front.

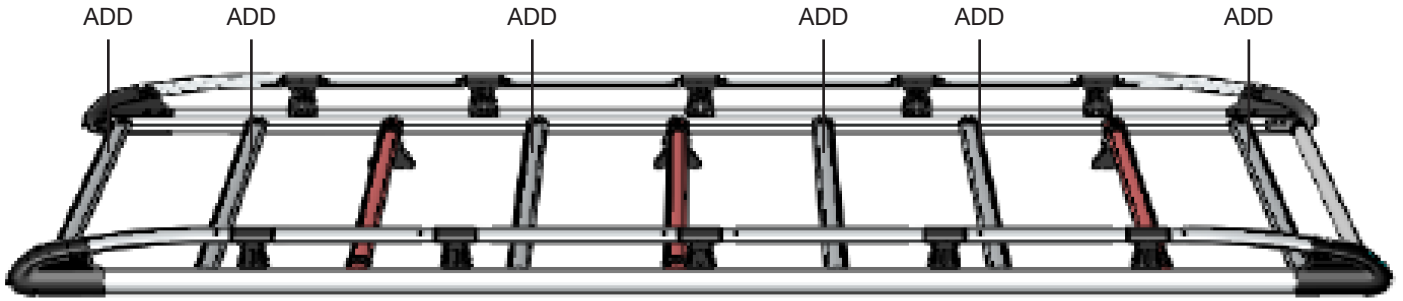


**2.1.7** Slide the rack to the appropriate position.

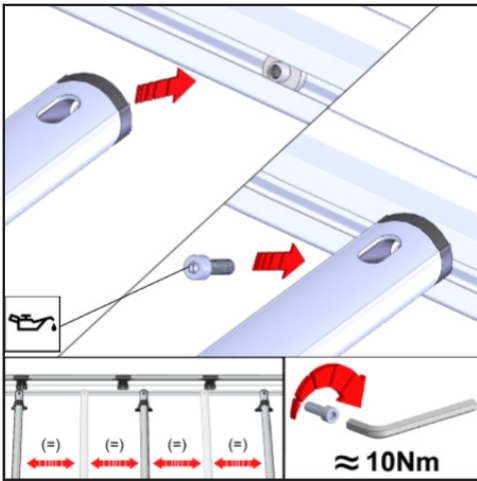


**2.1.8** Center the bar on the vehicle.

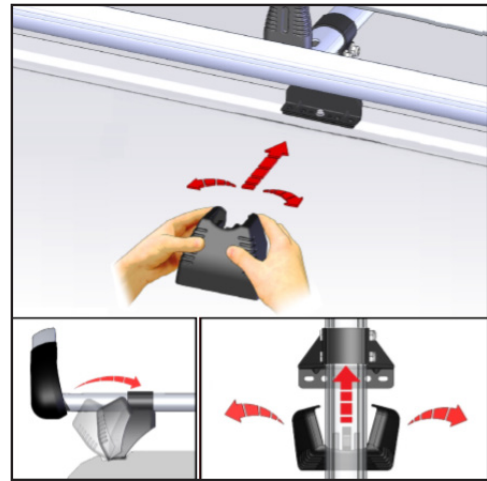




2.1.9 Attach the 6 bar.

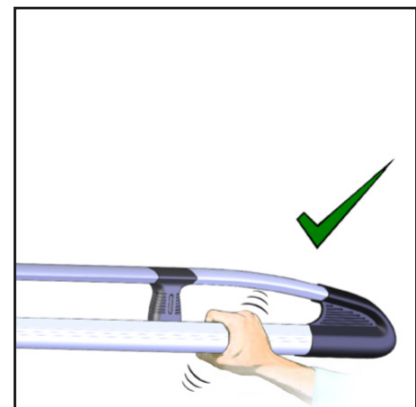
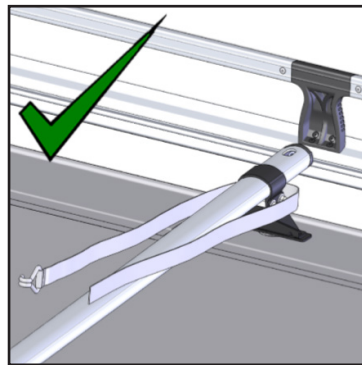
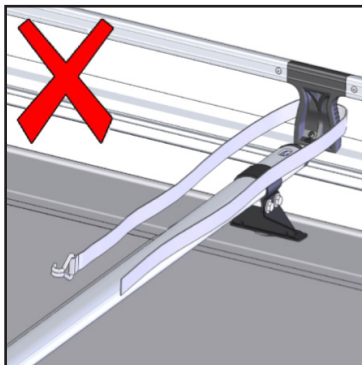
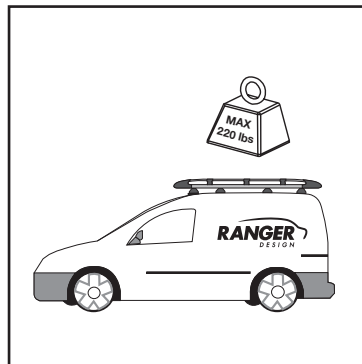
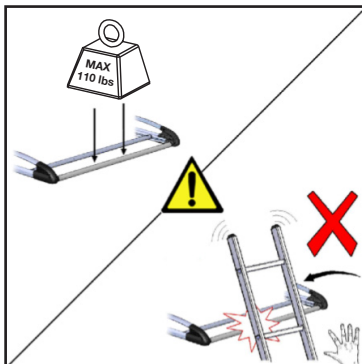


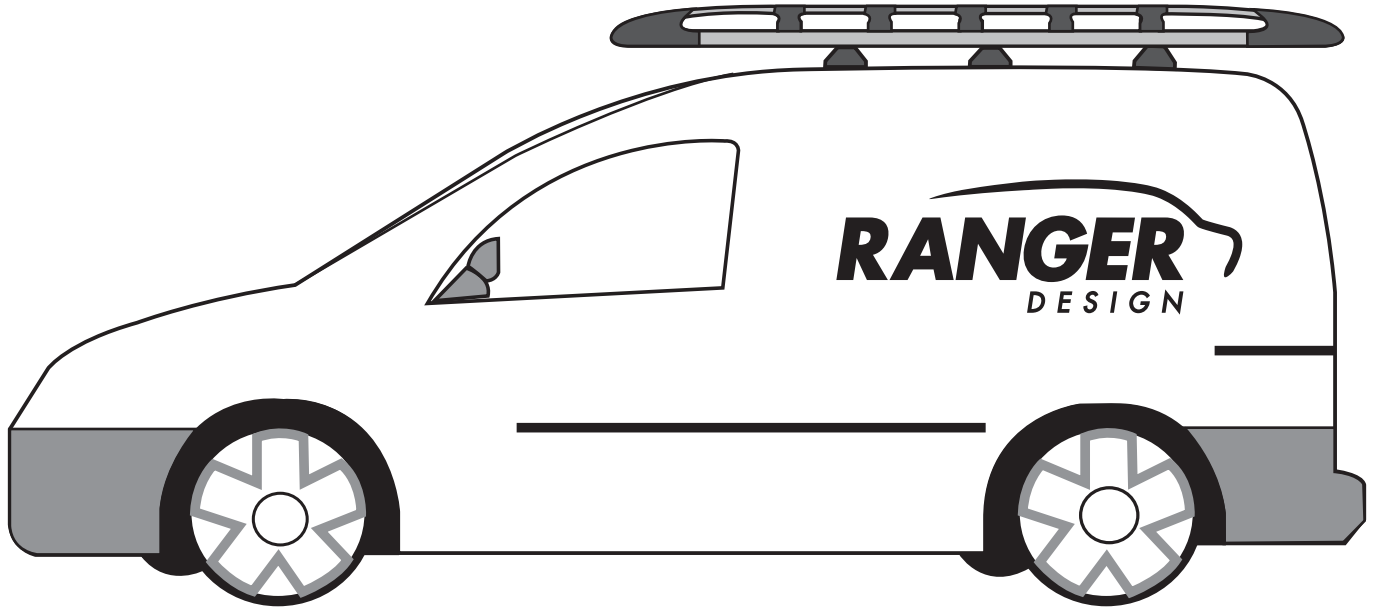
2.1.10 Attach the foot cowl to the foot.



## PHASE 3 – TIPS

### 3.1 SAFETY TIPS





**“You have successfully installed your  
1506-DS Cargo Plus**

**Thank you for doing business with us.”**

For any feedback or suggestions you may have, please contact: [cs@rangerdesign.com](mailto:cs@rangerdesign.com)

