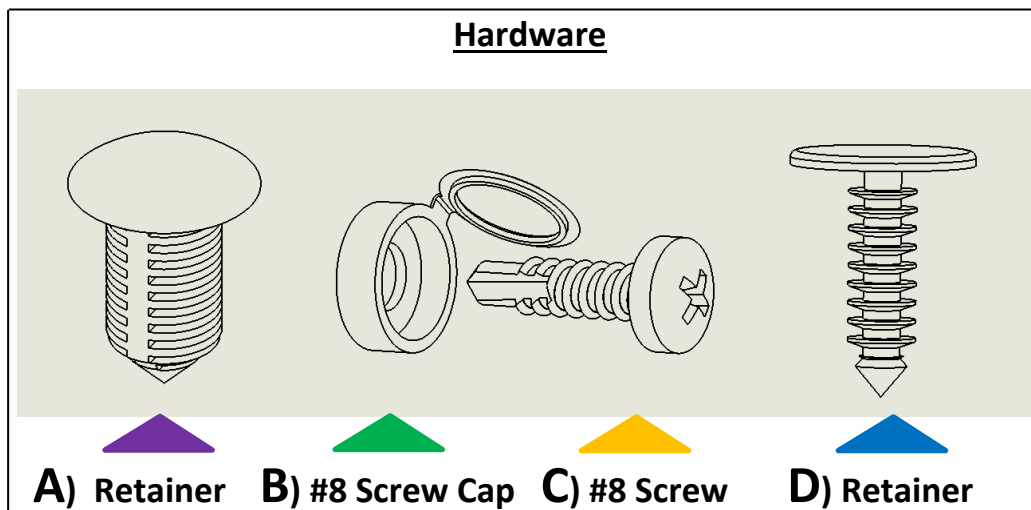


TRANSIT 130" LOW ROOF WALL LINER INSTALLATION INSTRUCTIONS

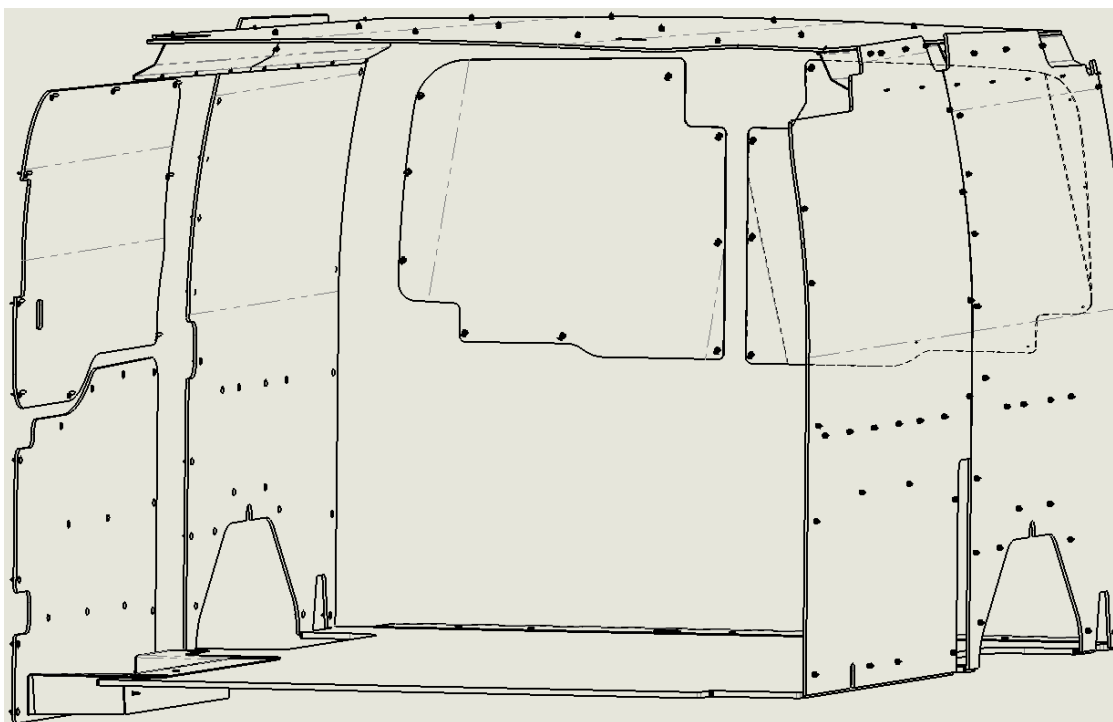


NOTES:

1. Before commencing, remove all wall liners and "D" Rings already installed in the vehicle.
2. Consult layout PDF and compare vehicle layout allocated Legend.
3. Prepare hardware shown below and have them ready for installation.
4. Wall liners will be installed in the order shown in the instructions.
5. A drill with a Phillips driver is required to install (C) #8 Screws) shown below.
6. Reinstall all "D" Rings once the wall liner kit installation is completed.

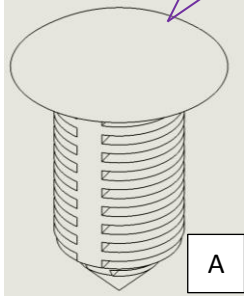
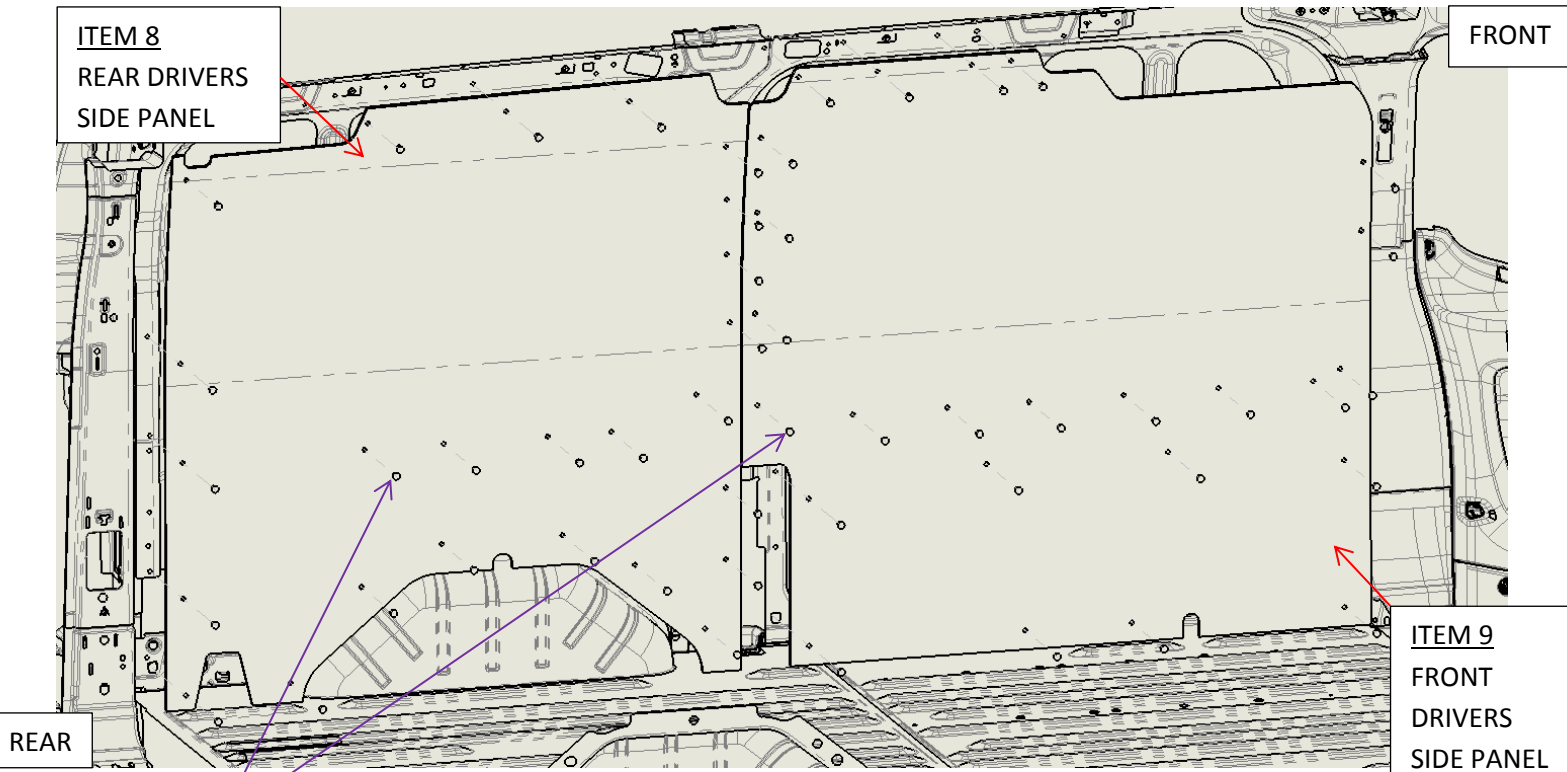


TRANSIT 130" LOW ROOF WALL LINERS



ITEM NO.	PART NUMBER	DESCRIPTION	QTY.
1	733-114-2613.LR	GREY REAR UPPER DOOR PANEL PASSENGER SIDE TRANSIT 130" LR	1
2	733-114-2613.LR	GREY REAR UPPER DOOR PANEL DRIVER SIDE TRANSIT 130" LR	1
3	SCREW	SCREW - PHIL. PAN HD #8X.75 SELF DRILLING	55
4	SCREW CAP	SCREW CAP	27
5	733-114-2613.LR	GREY SIDE DOOR BOTTOM PANEL TRANSIT 130" LR	1
6	RETAINER	RETAINER- BLACK NYLON	105
7	733-114-2613.LR	GREY SIDE DOOR TOP PANEL TRANSIT 130" LR	1
8	734-114-2613.LR WOW	GREY REAR DRIVER SIDE PANEL LWB LR W\O WINDOW TRANSIT 130" LR	1
9	734-114-2613.LR WOW	GREY FRONT DRIVER SIDE PANEL W \O WINDOW TRANSIT 130" LR	1
10	735-114-2613.LR	GREY CEILING PANEL TRANSIT 130" LR	1
11	737-151-1010.LR	CEILING SILL JOINER PLATE TRANSIT 130" LR	2
12	737-151-1010.LR	CEILING SILL 1 TRANSIT 130" LR	2
13	737-151-1010.LR	CEILING SILL 2 TRANSIT 130" LR	2
14	732-XXX-6641	FLOOR TRANSIT 130" LR	1
15	708-151-1011	FLOOR REAR SILL- TRANSIT	1
16	709-151-1011	FLOOR SLIDING DOOR SILL 2 - TRANSIT	1
17	706-151-1011	FLOOR SLIDING SILL 1- TRANSIT	1
18	706-151-1011	FLOOR SLIDING DOOR SILL 3 - TRANSIT	1
19	RETAINER	RETAINER- BLACK NYLON 31163211	12
20	734-114-2613.LR WOW	GREY REAR PASSENGER SIDE PANEL LWB LR W\O WINDOW TRANSIT 130" LR	1

Driver Side Wall Liner Installation



A

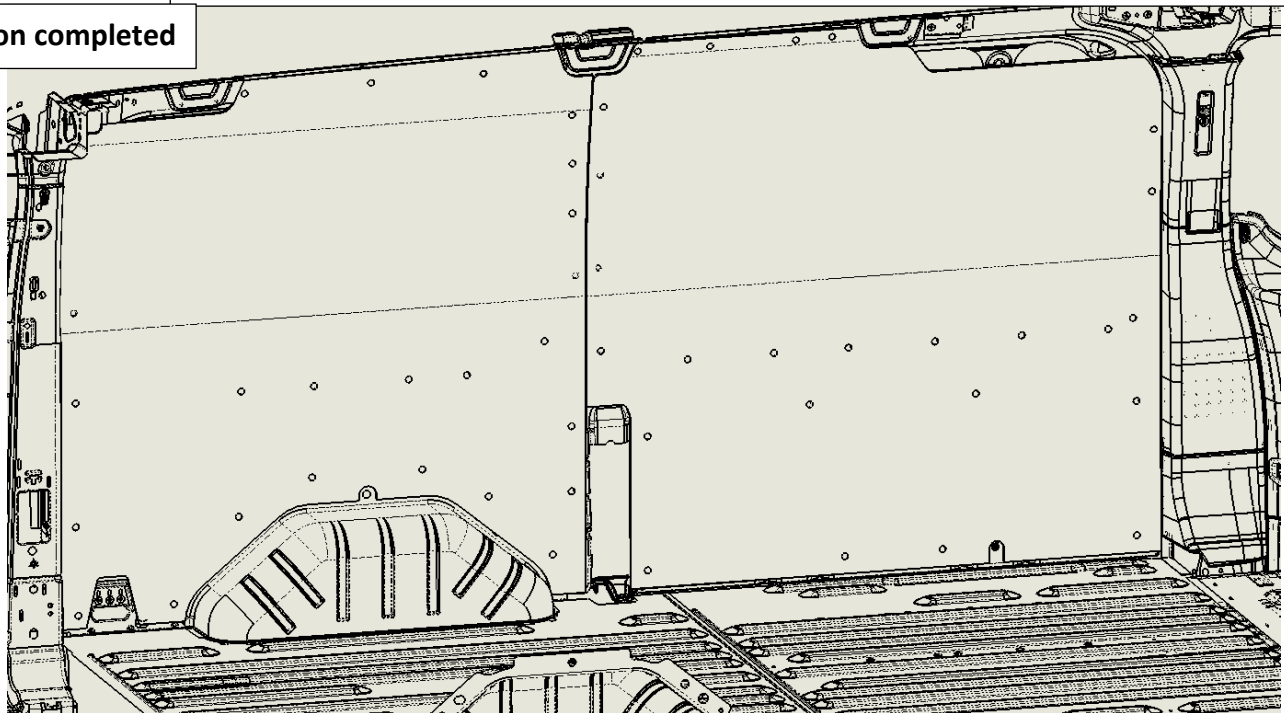
1: Install Item 9, Front Driver Side Panel.

- Align notch and edge of panel with the feature on the vehicle driver side front then align opposite side of panel edge with the contour features.
- Install hardware (A), in the holes provided, on the bottom of the panel first, working your way up the panel to the top.

2: Install Item 8, Rear Driver Side Panel.

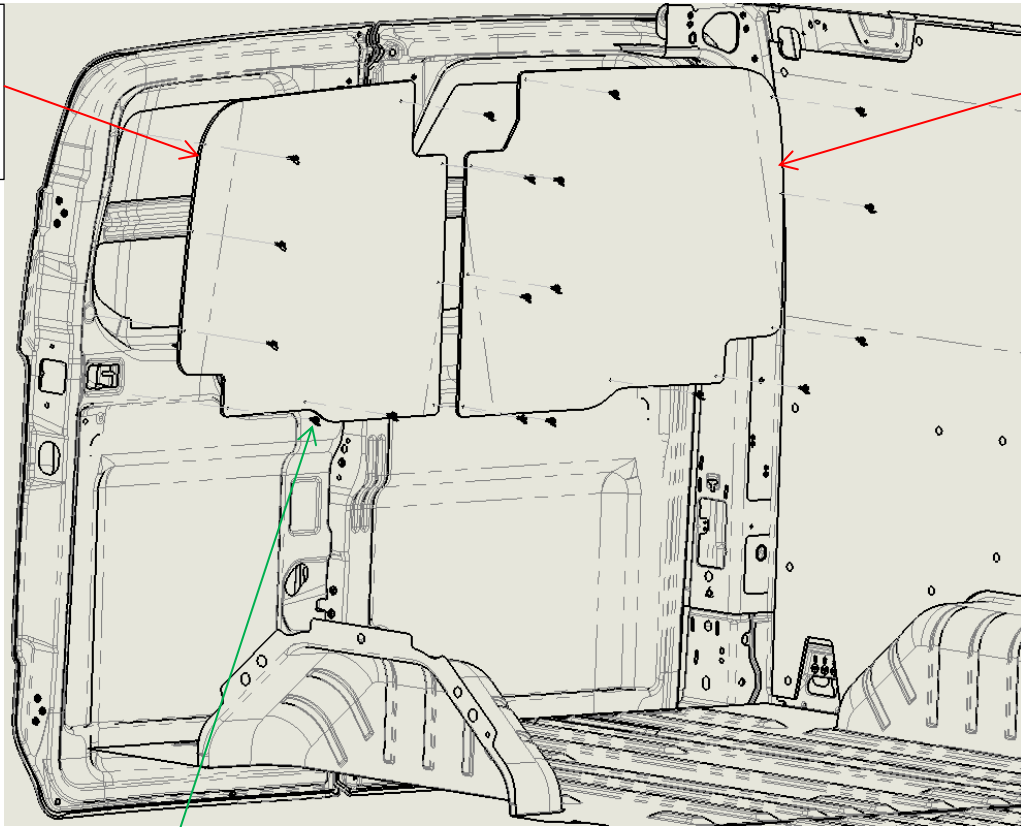
- Align wheel well edge of the panel with the feature on the vehicle, position the contour of the panel to the vehicle wall.
- Install hardware (A), in the holes provided, on the bottom of the panel first, working your way up the panel to the top.

Installation completed

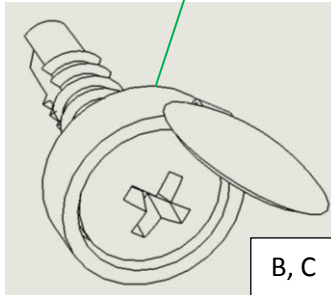


Back Door Wall Liner Installation

ITEM 1
UPPER DOOR
PASSENGER SIDE
PANEL



ITEM 2
UPPER DOOR
DRIVERS SIDE
PANEL

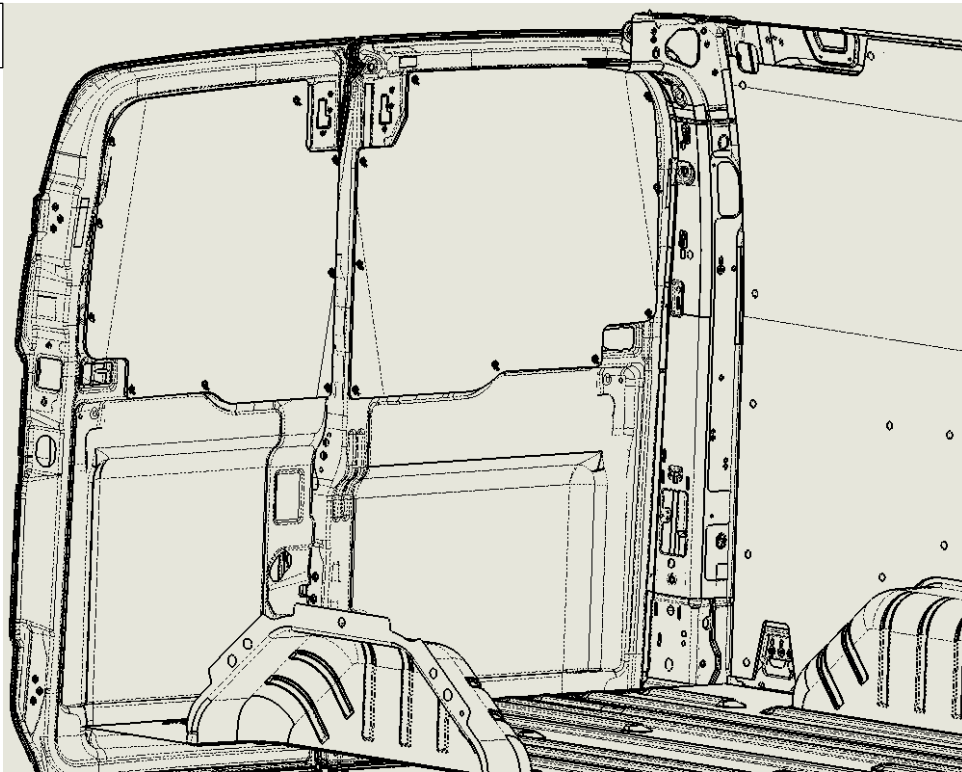


B, C

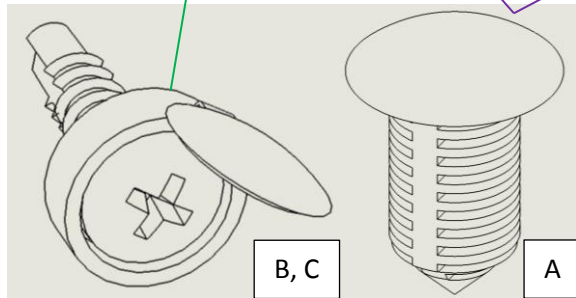
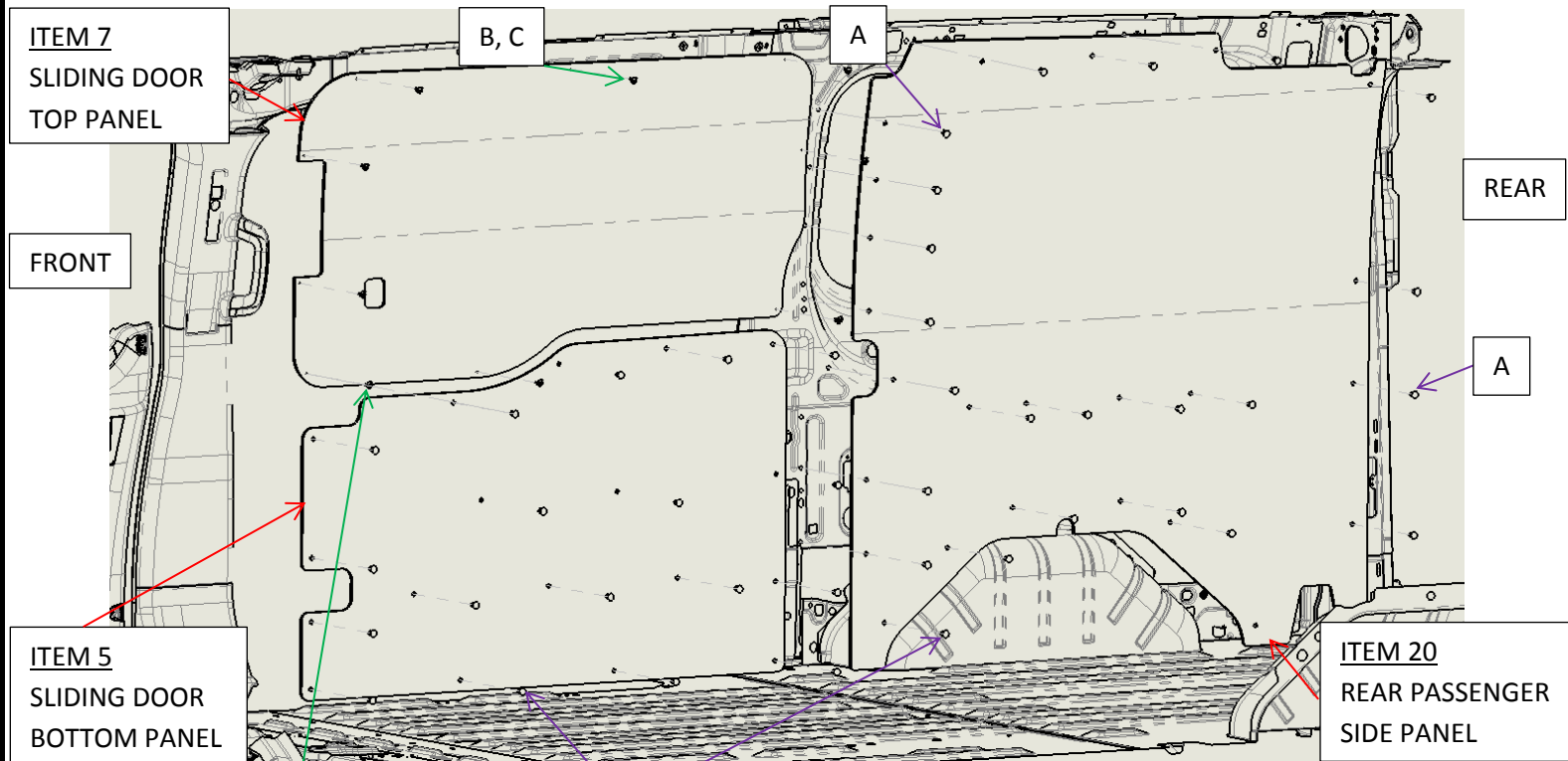
3: Install Item 1 and 2, Upper door panels,

- Align the Upper panels with the upper door contours as well as with the door lock opening.
- Install hardware (B, C), in the holes provided, on the top of the panel first, working your way down the panel to the bottom.

Installation completed



Passenger Side Wall Liner Installation



4: Install Item 20, Rear Passenger Side Panel.

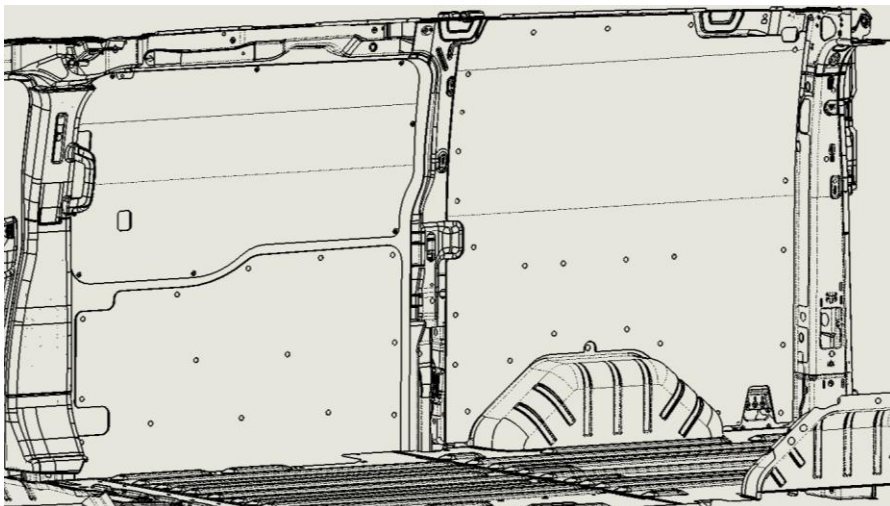
- Align wheel well edge of the panel with the feature on the vehicle; position the contour of the panel to the vehicle wall.
- Install hardware (A), in the holes provided, on the bottom of the panel first, working your way up the panel to the top.
- Install hardware (A), in the holes provided.

5: Install Item 5, Bottom Sliding Door Panel.

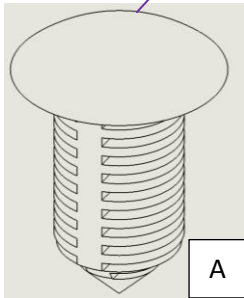
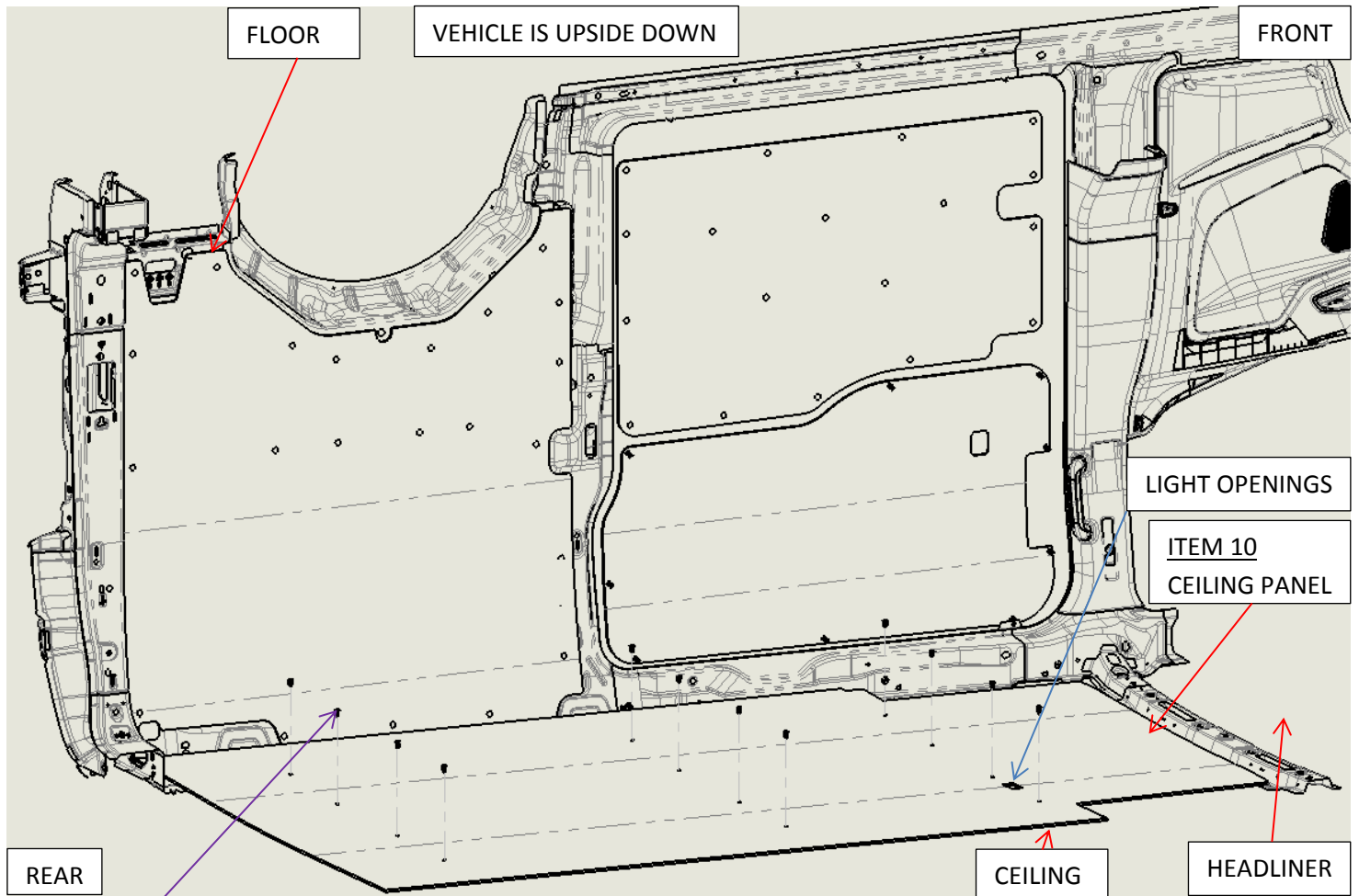
First remove OEM bottom panel.

- Note: Sliding door must be closed to install panel;
- Insert panel into the sliding door sill cavity, align holes at the bottom half of the panel to the one on the door and insert hardware (A) in all of the holes.
- Install Item 7, Top Sliding Door Panel with hardware (B, C) in the holes provided, align the panel with the door seal leaving an equal space between the door seal and the panel, make sure the door lock opening is aligned with the door lock.

Installation completed



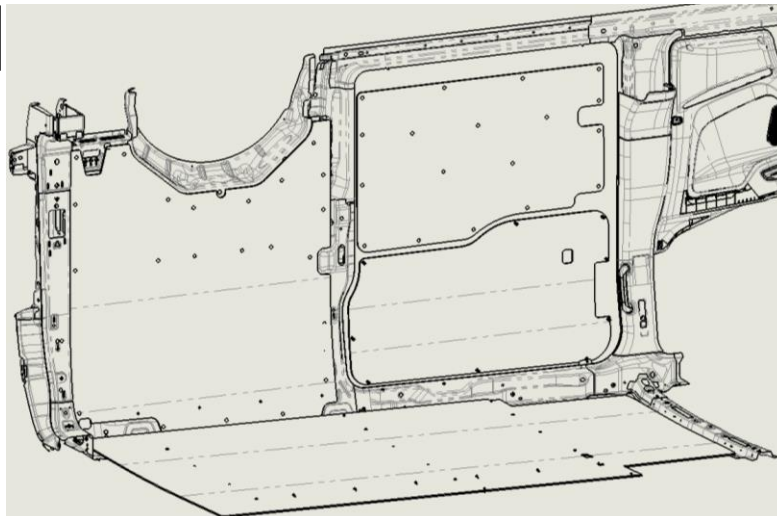
Ceiling Liner Installation



6: Install Item 10, Ceiling Panel.

- Align Ceiling panel with the feature on the vehicle in the front, insert the front of the panel between the headliner and the roof, and align the light opening to the light on the ceiling.
- Align the outside holes at the center of the panel with the holes in the ceiling cross bows and install hardware (A) on each side; this will align the panel with the ceiling.
- Push the panel against the ceiling and install hardware (A), in the holes provided starting from the front working your way towards the rear.

Installation completed



Ceiling Sills Installation

VEHICLE IS UPSIDE DOWN

PASSENGER SIDE

WALL

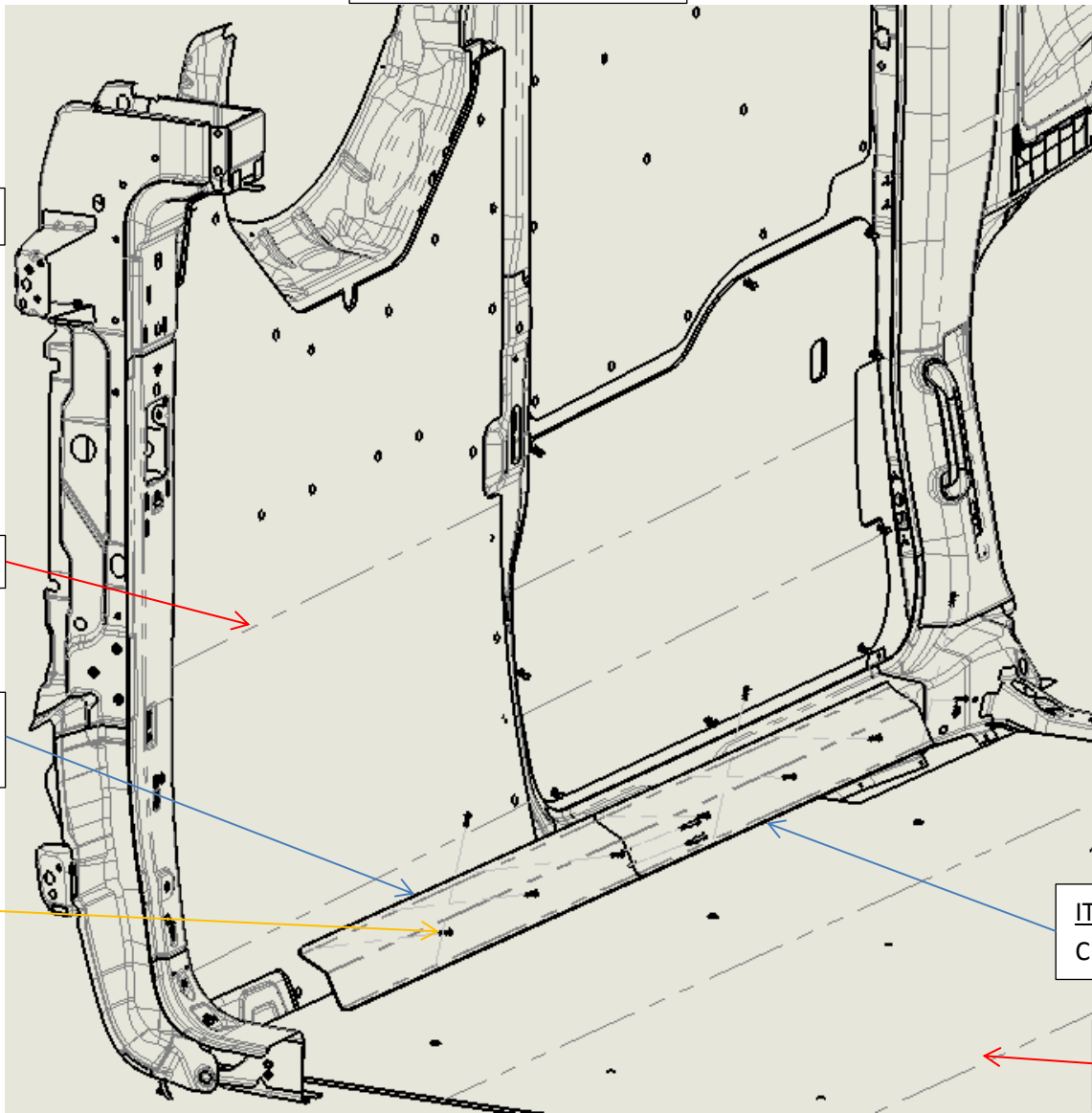
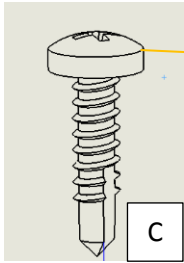
ITEM 13
CEILING SILL 2

FRONT

ITEM 12
CEILING SILL 1

CEILING
PANEL

C



Z: Assemble Item 12 and item 13 together with the Item 11, Sill Joining Plate (SHOWN BELOW), with hardware (C) in the holes provided.

- Install the Sill assemblies on the Driver side as well as on the Passenger side using hardware (C) in the holes provided on the Sills.
- First, Install the Sill assembly with hardware (C) on the wall, afterwards install hardware (C) only on the roof cross bows aligned with the retainers holding the ceiling panels.

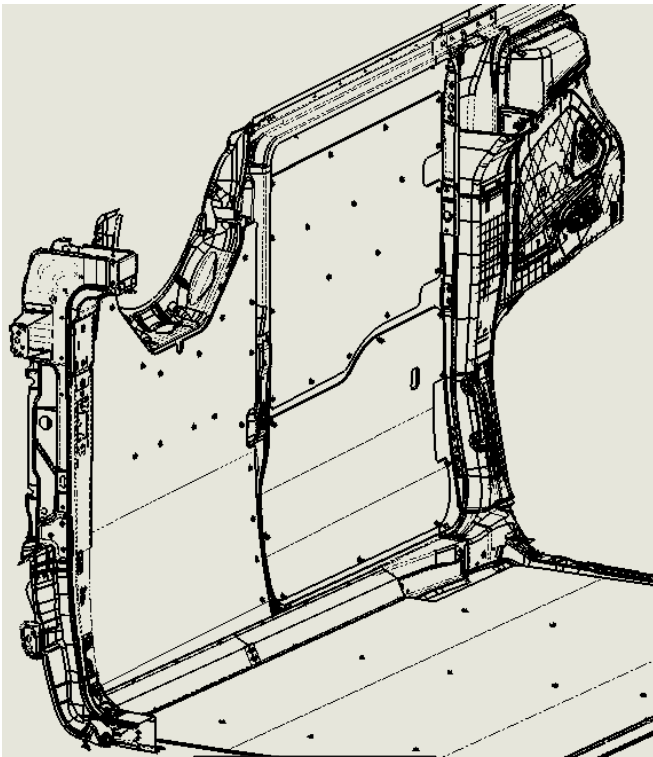
ITEM 11 SILL JOINING PLATE



Ceiling Sills Installation

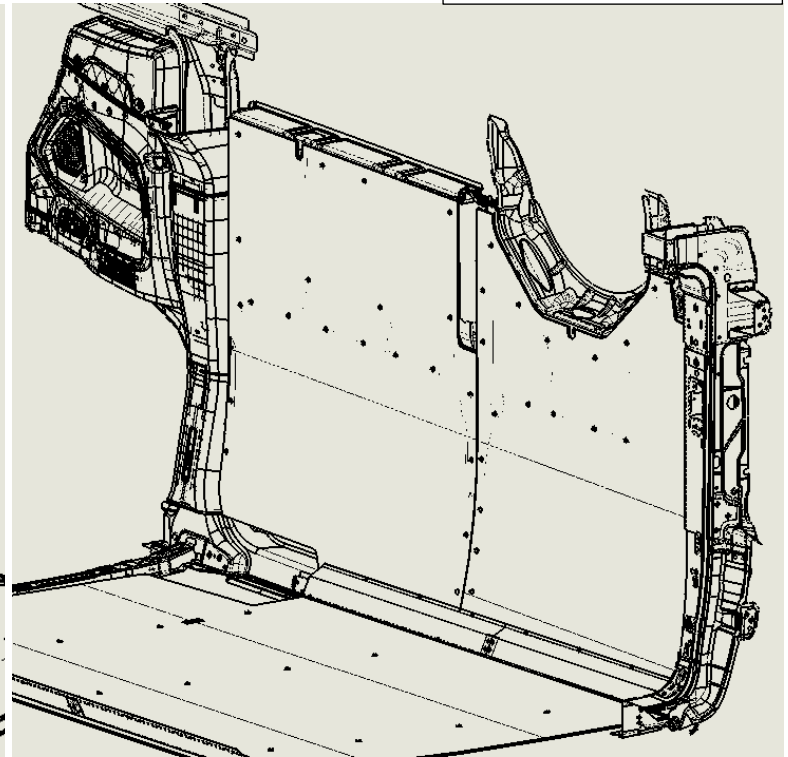
VEHICLE IS UPSIDE DOWN

Installation completed



BACK

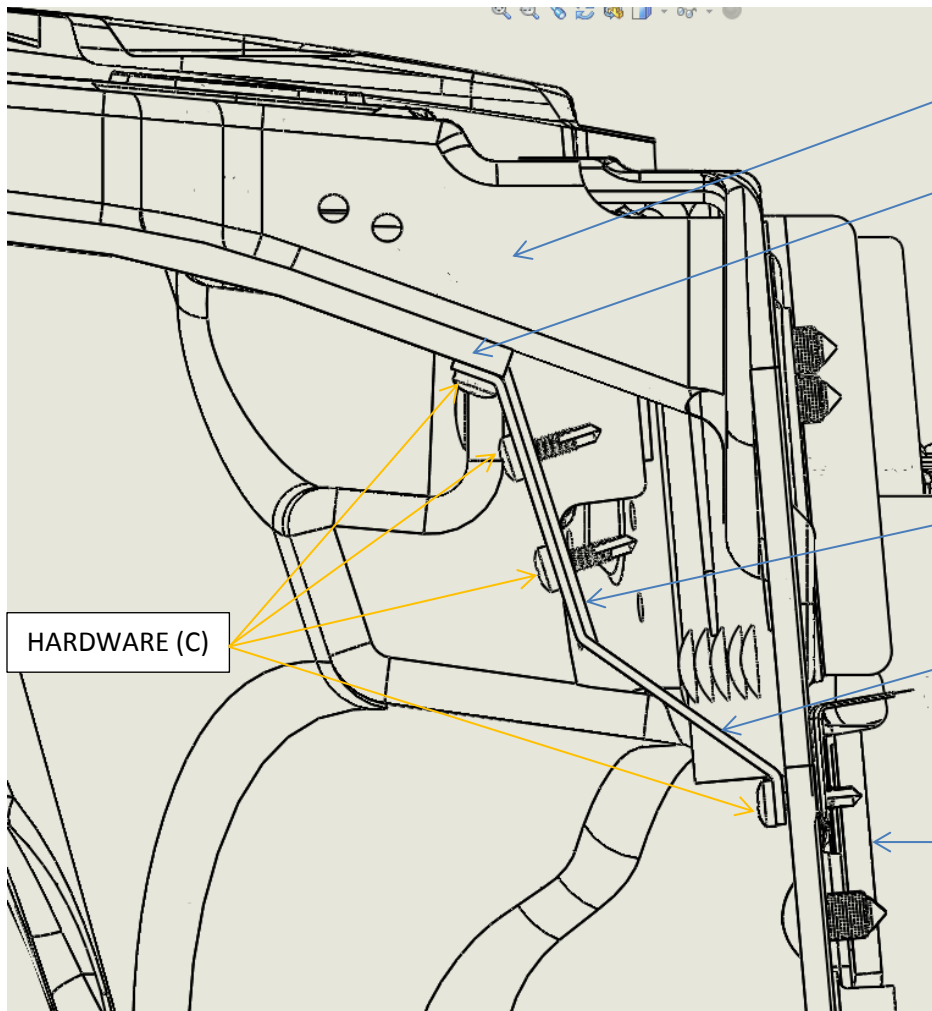
PASSENGER SIDE



DRIVER SIDE

BACK

Ceiling Sills Installation Details



ROOF CROSSBOW

CEILING PANEL

ITEM 11

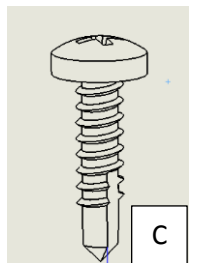
SILL JOINING PLATE

ITEM 12&13

CEILING SILL 1&2

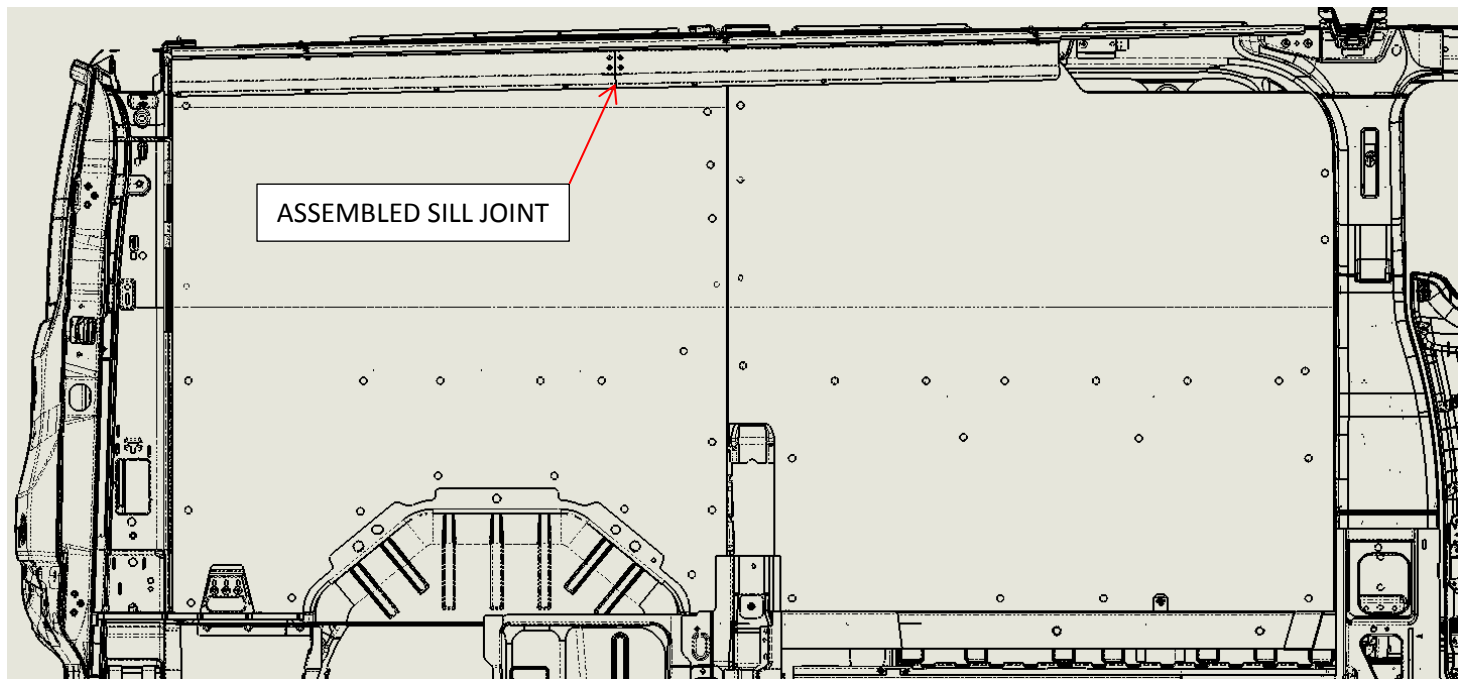
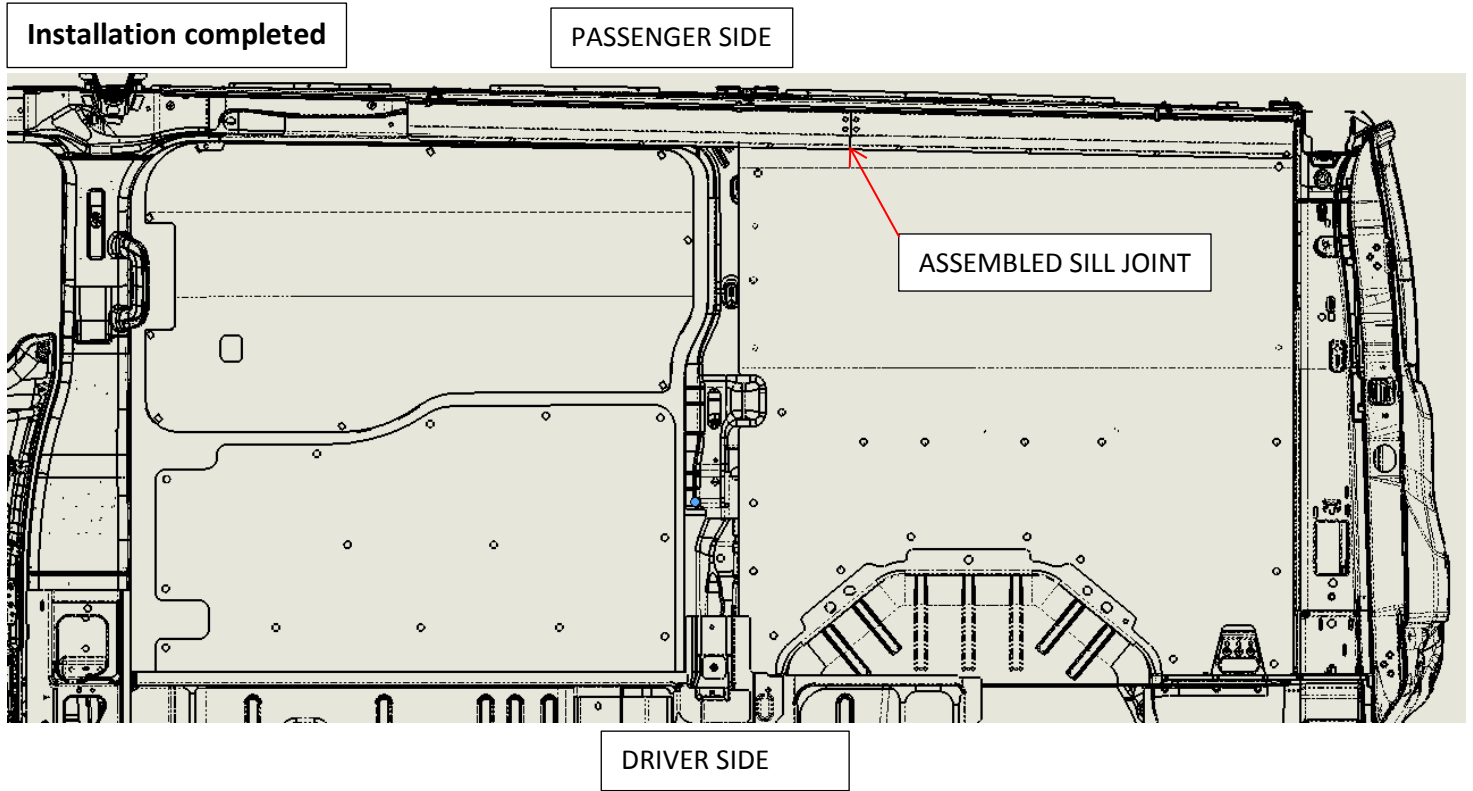
WALL PANEL

HARDWARE (C)



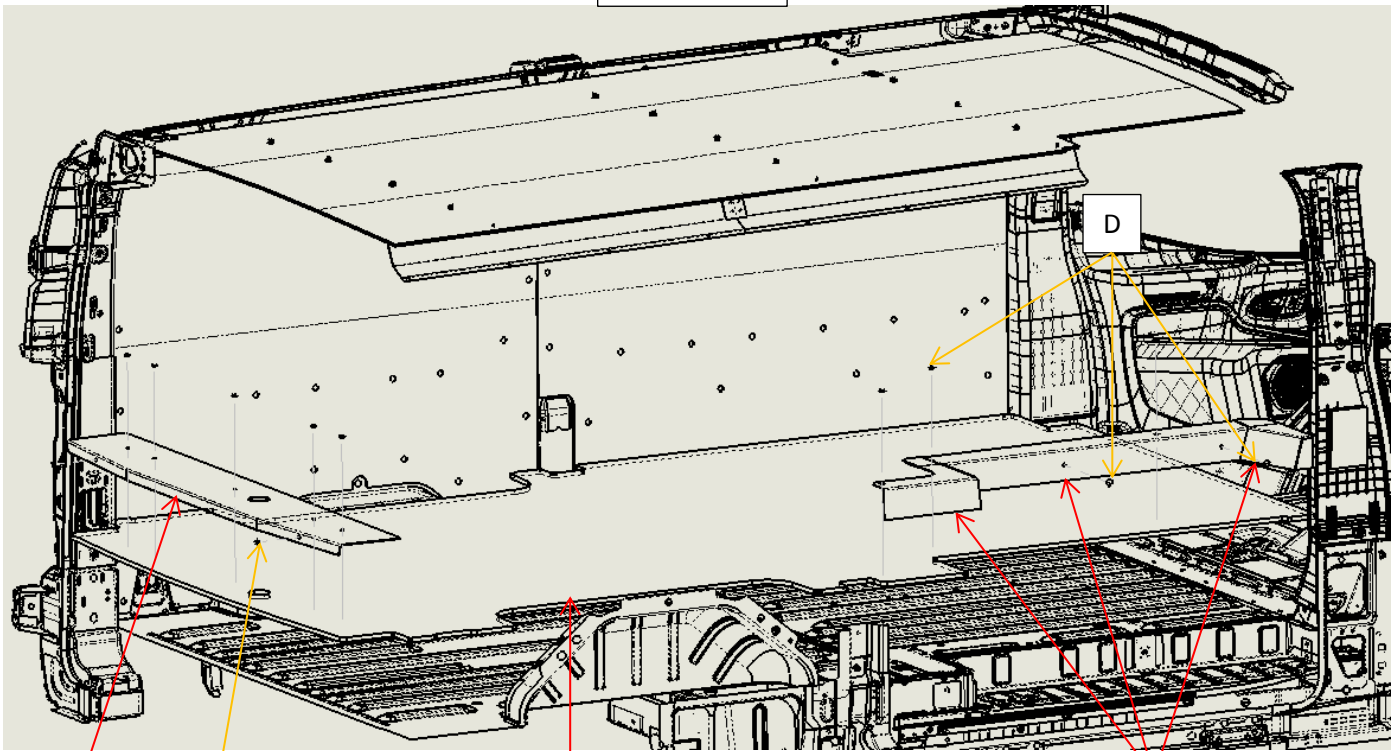
C

Ceiling Sills Installation



Floor and Floor Sill Installation

DRIVER SIDE



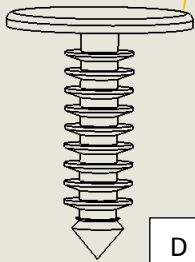
ITEM 15
FLOOR SILL –
REAR DOOR

ITEM 14
FLOOR

ITEM 16, 17, 18
FLOOR SILL –
SLIDING DOOR

8: Install Items 14, FLOOR and Items 15, 16, 17, 18 FLOOR SILLS.

- Install floor inside the vehicle.
- Align the floor sills in their proper location with the floor edges and install hardware (D), in the holes provided, if there are no holes drill 6mm holes for each hardware (D).



D

Installation completed

